



## PRODUCT DATA SHEET

SmartGrip Implant System - Bone Level Implant

Self-tapping implant, external hex, Branemark type, with Star latch.

SLA surface by double acid etching and Sand Blasted.

Conservative surgical technique. Allows immediate loading. Applicable for technique immediately following removal.

External hex SmartGrip implant presentation:

DIAMETERS	LENGTHS (mm.)				
Ø 3.40 mm.	-	10	11.5	13	-
Ø 4.00 mm.	-	10	11.5	13	15
Ø 5.00 mm.	5	6	8	10	-

Sterilized by Gamma Radiation.  
Supplied in a double tamper-resistant container that preserves sterility and facilitates handling. Patient chart label included.

THE IMPLANT IS DIVIDED INTO THREE SEGMENTS:

• **Intraosseous segment - cylindrical body (a):** Apical end with self-tapping drill.

• **Intraosseous segment - microflutes (b):** Treated surface for better positioning of the epithelial attachment and the biological width.

• **Prosthetic segment (c):** On the upper coronary plane a hex body protrudes, 0.7 mm in height and 2.7 mm between surfaces, with a threaded cavity where the different prosthetic pieces are fixed. It is compatible with most prosthetic abutments with an internal counterhex in the base.

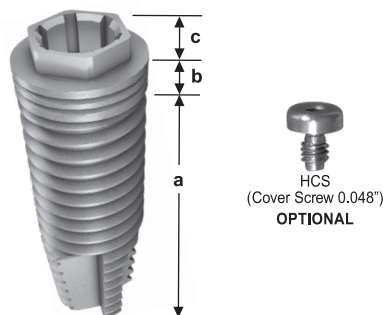
4.1 mm Branemark type platform compatible with star latch.

SURGICAL INSTRUMENTATION REQUIRED:



Odontit S. A.: [www.odontit.com](http://www.odontit.com) - [info@odontit.com](mailto:info@odontit.com)  
Tel. (54 11) 4825-0221 / Fax. (54 11) 4903-9330  
Azcuénaga 1077 4°D / C1115AAE / C. A. de Bs. As. / Argentina

**SMARTGRIP** External Hex  
3.40 / 4.00 / 5.00 mm Ø



**SMARTGRIP** External Hex  
3.40 / 4.00 / 5.00 mm Ø



### CRITERIA FOR PATIENT SELECTION:

- Healthy patients, suitable for surgery.
- Studies according to the usual diagnosis methods.
- Bone crest dimensions: buccolingual width: 5mm  
Distance between implant centers: 7mm

### EXCLUSION CRITERIA:

- Immunosuppressed patients.
- Long term use of steroids.
- Patients who smoke over 10 cigarettes a day.

### SURGICAL PROTOCOL:

- Surgical guide preparation.
- Bone crest visualization through incision of soft tissue with punch or flap.
- Locate position of the implant with a round or spade drill, 1.5 mm diameter.

- Complete drilling sequence according to diameter of the implant to be placed and the quality of bone tissue. The diameter of the used drills varies according to bone density as per the information on Chart 1.
- Position over bone crest using screwdriver or tip for star latch implant mount driver (Catalog #: SGDM-SGCL). First, hand tighten it, and then tighten using the Open end wrench (Catalog #: OEWA) or the Ratchet wrench (Catalog #: RW) or with the implant mount driver at low speed. Introduce implant by self-tapping, to the correct position. Whether the surgery is performed in one or two stages, submerged or semi-submerged technique.
- Suture gingival tissue.

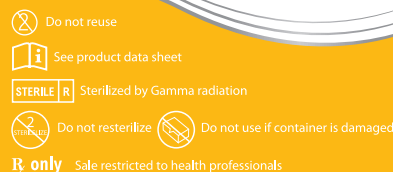
**CHART N° 1:** Final diameter values of drills according to bone density (Lekhom and Zarb Classification):

IMPLANT & DIAMETER	CLASS 1	CLASS 2	CLASS 3	CLASS 4
SmartGrip 3.40 mm	3.00 mm	3.00 mm	2.80 mm	2.80 mm
SmartGrip 4.00 mm	3.50 mm	3.50 mm	3.30 mm	3.30 mm
SmartGrip 5.00 mm	4.30 mm	4.30 mm	4.30 mm	4.30 mm

### PROSTHETIC PROTOCOL:

- Waiting time until prosthesis placement will depend on the chosen protocol: immediate, early and conventional loading.

**General considerations:** For additional information, please refer to the Implant System's Manual, printed version, or view the electronic version visiting [www.odontit.com](http://www.odontit.com)



IFU SG-EXT-EN-REV.01/16